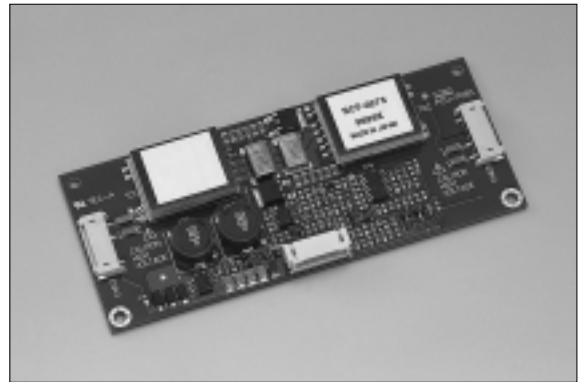
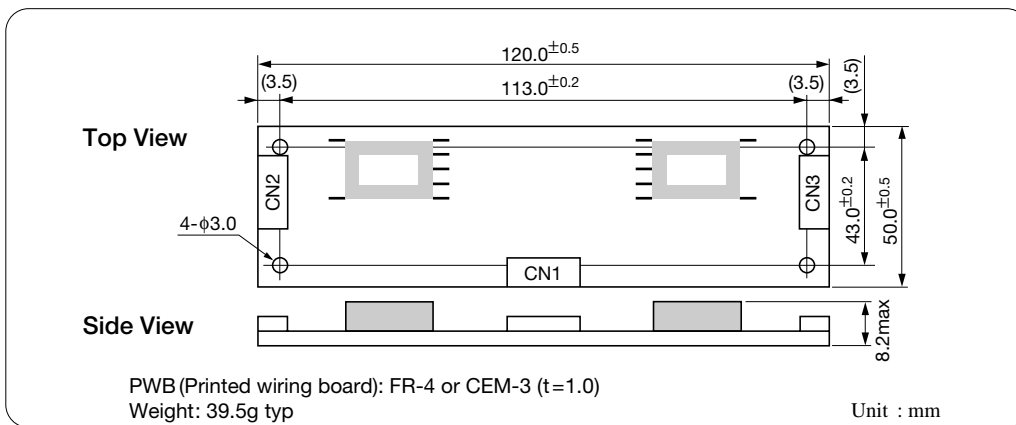


■Features

- For CCFL 4 lamps
- Built in On/Off control function
- Regulated lamp current
- Built in PWM Mode dimming control circuit.
- Applications: LCD size 15 inches for monitor
 Suitable Sanken's CCFL: Lamp length 300 to 340 mm
 : Exterior Diameter $\phi 2.6$ mm



■Outline

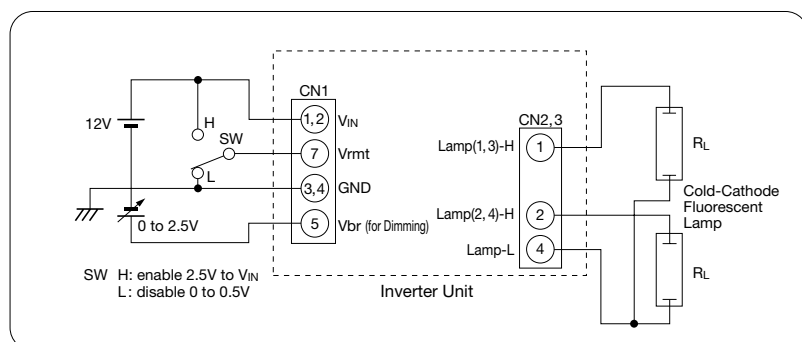


■Connector terminal number and Function

Connector No.	Terminal No.	Symbol	Function	Connector type name/Manufacturer
CN1* (Input)	1, 2	V _{IN}	DC input voltage	S7B-PH-SM3-TB/JST
	3, 4	GND	GND	
	5	V _{br}	Dimming control	
	6	N. C		
	7	V _{rmt}	On-Off control	
CN2 (Output 1, 2)	1	Lamp 1-H	Output 1 high side	SM03(7-D1)B-BHS-TB/JST
	2	Lamp 2-H	Output 2 high side	
	4	Lamp 1, 2-L	Output 1, 2 low side	
CN3 (Output 3, 4)	1	Lamp 3-H	Output 3 high side	SM03(7-D1)B-BHS-TB/JST
	2	Lamp 4-H	Output 4 high side	
	4	Lamp 3, 4-L	Output 3, 4 low side	

*Connect parallel with 1st and 2nd pin, in the same way 3rd and 4th pin too. It's short of current capacity with mono-pin.

Standard External Circuit



Absolute maximum ratings

Parameter	Symbol	Ratings	Unit	Remarks
DC input voltage	V_{IN}	0 to 14.4	V	
On-Off voltage	V_{rmt}	0 to 14.4	V	
Dimming voltage	V_{br}	0 to 3.0	V	
Output power	P_L	4.4	W	Per 1 lamp
Operating temp.	T_{opr}	0 to 60	°C	
Storage temp.	T_{stg}	-20 to 80	°C	
Humidity	RH	95	%RH	Maximum wet-bulb temp. 38°C No dew condensation

Electrical characteristics

Conditions : at $T_{opr}=25^{\circ}\text{C}$, $V_{IN}=12\text{V}$ (unless otherwise stated)

Parameter	Symbol	Ratings			Unit	Remarks
		min	typ	max		
DC input voltage	V_{IN}	10.8	12	13.2	V	
Input current	I_{IN}	—	—	1500	mA	$V_{IN}=12\text{V}$
Driving frequency	f_{sw}	50	55	60	kHz	$R_L=83\text{k}\Omega$
Output current	I_L	—	7.0	—	mArms	Per 1 lamp $R_L=83\text{k}\Omega$, $V_{br}=0\text{V}$
		—	3.5	—	mArms	Per 1 lamp $R_L=83\text{k}\Omega$, $V_{br}=2.5\text{V}$
Dimming control frequency	f_{PWM}	240	—	300	Hz	
Output Power	P_L	—	4.7	—	W	$R_L=83\text{k}\Omega$
Open voltage	V_O	1500	—	—	Vrms	$V_{IN}=10.8\text{V}$, $R_L=100\text{M}\Omega$

Dimming characteristics

